

LED



IP68
OUTDOOR RATED

CE **RoHS**
2002/95/EC

LED Fountain Light, Water Music Fountain Light



Specifications

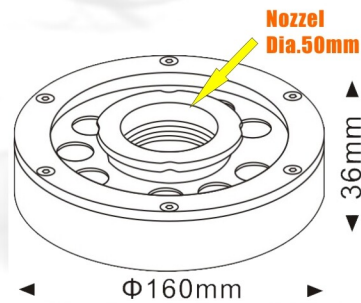
- Front cover&Housing: Molding shaped 304[#] or 316[#] stainless steel;
- Glass: Tempered glass T=6mm
- Lends: Optical lens, efficiency ≥ 85%
- Cable gland: IP-68 PG-11 copper and nickel coated
- LED: High power LED
- PCB: Excellent heat conductivity aluminum, coefficient of heat conductivity ≥ 2.0w/mk;
- Driver: Constant current output
Single color LED=3-circuit output
RGB LED=3-circuit output
RGB 3in1 LED=6-circuit output

Application environment: Temperature of water between -20°C ~ 40°C less than 1.0 meter depth.

Power cable: H05RN-F 2×1.0mm² L=3m(for Single color)
H05RN-F 4×0.75mm² L=3m(for RGB)

Item No.	Light source	Suitable Lens	Lens Beam Angle(°)	consumption(w)	Input voltage(v)	Operating current(mA)
94191	9×1W	* L0115C023ST L0130D022MS	15 30	11.2	24VDC	350
94192	9×3W	* L0115C023ST L0130D022MS	15 30	24.5	24VDC	600
94193	9×1W (3R3G3B)	* L0115C023ST L0130D022MS	15 30	10.1	24VDC	R=300 G=330 B=330
94194	9×3W (3R3G3B)	* L0115C023ST L0130D022MS	15 30	20.2	24VDC	R=600 G=650 B=650
94196	9×3W RGB 3in1	L0115C023ST L0130D022MS	15 30	28.5	24VDC	R=300 G=330 B=330

*The power consumption is based on the test of 24VDC input, it refer to the power consumption of whole fitting. Different input voltage with different power consumption.



IP68
OUTDOOR RATED

CE **RoHS**
2002/95/EC



Specifications

- Front cover&Housing: Molding shaped 304[#] or 316[#] stainless steel;
- Glass: Tempered glass T=10mm
- Lends: Optical lens, efficiency ≥ 85%
- Cable gland: IP-68 PG-11 copper and nickel coated
- LED: High power LED
- PCB: Excellent heat conductivity aluminum, coefficient of heat conductivity ≥ 2.0w/mk;
- Driver: Constant current output
Single color LED=3-circuit output
RGB LED=3-circuit output
RGB 3in1 LED=6-circuit output

Application environment: Temperature of water between -20°C ~ 40°C less than 1.0 meter depth.

Power cable: H05RN-F 2×1.0mm² L=3m(for Single color)
H05RN-F 4×0.75mm² L=3m(for RGB)

Item No.	Light source	Suitable Lens	Lens Beam Angle(°)	consumption(w)	Input voltage(v)	Operating current(mA)
94291	9×1W	* L0115C023ST L0130D022MS	15 30	11.2	24VDC	350
94292	9×3W	* L0115C023ST L0130D022MS	15 30	24.5	24VDC	600
94293	9×1W (3R3G3B)	* L0115C023ST L0130D022MS	15 30	10.1	24VDC	R=300 G=330 B=330
94294	9×3W (3R3G3B)	* L0115C023ST L0130D022MS	15 30	20.2	24VDC	R=600 G=650 B=650
94296	9×3W RGB 3in1	L0115C023ST L0130D022MS	15 30	28.5	24VDC	R=300 G=330 B=330

* The power consumption is based on the test of 24VDC input, it refer to the power consumption of whole fitting. Different input voltage with different power consumption.

LED



LED Fountain Light, Dry Fountain LED lights

Warnig:

Must be work underwater to prevent the light from burning up because of over-heating.



rear view

